

*Customer: Yamasa Co.,Ltd.

SPECIFICATION

| | |
|--------------|-----------------------|
| ITEM | TOP LED DEVICE |
| MODEL | SSC-UBMGFRT722 |

[Contents]

| | |
|--|----|
| 1. Features ----- | 2 |
| 2. Application ----- | 2 |
| 3. Absolute Maximum Ratings ----- | 2 |
| 4. Electro-optical Characteristics ----- | 3 |
| 5. Ranks of UBMGFRT722 ----- | 4 |
| 6. Chromaticity Coordinate Diagram ----- | 5 |
| 7. Soldering Profile ----- | 7 |
| 8. Outline Dimension And Material ----- | 8 |
| 9. Packing ----- | 9 |
| 10. Reel Packing Structure ----- | 10 |
| 11. Precaution for Use ----- | 11 |
| 12. Characteristic Diagram ----- | 12 |

CUSTOMER

| | |
|------------|-------------|
| Checked by | Approved by |
| | |
| | |

SUPPLIER

| | | |
|-----------|------------|-------------|
| Drawn by | Checked by | Approved by |
| 이재진 | / | 진희창 |
| 070119이재진 | | 070119진희창 |

1. Features

- Pb-free Reflow Soldering application
- RoHS Compliant
- Material : InGaN(Blue) / InGaN(Green) / AlGaInP(Red)
- 6-Pin (R,G,B separate) type
- Suitable for all SMT assembly methods ; Suitable for all soldering methods
- White colored SMT package and colorless clear window

2. Application

- Indoor and outdoor displays
- LCD Backlights etc.
- R G B – displays
- Indicator

3. Absolute Maximum Ratings ^{*1}

($T_a=25^{\circ}\text{C}$)

| Parameter | Symbol | Value | | | Unit |
|--|-----------|-------------------|-------------------|-------------------|------|
| | | Red | Green | Blue | |
| Forward Current | I_F | 30 | 30 | 30 | mA |
| Forward Peak Surge Current ^{*2} | I_{FM} | 100 | 100 | 100 | mA |
| Reverse Voltage (per die) | V_R | 5 | | | V |
| Power Dissipation | P_d | 78 ^{*3} | 123 ^{*3} | 120 ^{*3} | mW |
| | | 268 ^{*4} | | | |
| Operating Temperature | T_{opr} | -40 ~ +100 | | | °C |
| Storage Temperature | T_{stg} | -40 ~ +100 | | | °C |

*1 Care is to be taken that power dissipation does not exceed the absolute maximum rating of the product.

*2 I_{FM} was measured at $T_w \leq 1$ msec of pulse width and $D \leq 1/10$ of duty ratio.

*3 The value for one LED device.(Single color)

*4 The value for total power dissipation when two and more devices are lit simultaneously.

4. Electro-Optical Characteristics

($T_a=25^{\circ}\text{C}$)

| Parameter | | Symbol | Condition | Min | Typ | Max | Unit |
|------------------------|---------------|-----------------|----------------------------|-------|------|-------|---------------|
| Forward Voltage | Red | V_F | $I_F=12\text{mA}$ | - | 1.9 | 2.6 | V |
| | Green | | $I_F=20\text{mA}$ | - | 3.6 | 4.1 | |
| | Blue | | $I_F=20\text{mA}$ | - | 3.5 | 4.0 | |
| Reverse Current | Red | I_R | $V_R=5\text{V}$ | - | - | 10 | μA |
| | Green | | | - | - | 10 | |
| | Blue | | | - | - | 10 | |
| Luminance Intensity *1 | Red | I_V | $I_F=12\text{mA}$ | - | 210 | - | mcd |
| | Green | | $I_F=20\text{mA}$ | - | 520 | - | |
| | Blue | | $I_F=20\text{mA}$ | - | 100 | - | |
| | Total Iv Rank | Rank N | $I_F=52\text{mA}$ Total | 520 | - | 745 | |
| | | Rank O | | 745 | - | 970 | |
| Rank P | | 970 | | - | 1200 | | |
| Color Coordinate | | x | $I_F=52\text{mA}$ Total | 0.256 | - | 0.328 | - |
| | | y | | 0.233 | - | 0.335 | |
| Peak Wavelength | Red | λ_p | $I_F=12\text{mA}$ | - | 632 | - | nm |
| | Green | | $I_F=20\text{mA}$ | - | 518 | - | |
| | Blue | | $I_F=20\text{mA}$ | - | 468 | - | |
| Dominant Wavelength | Red | λ_d | $I_F=12\text{mA}$ | 618 | 625 | 632 | nm |
| | Green | | $I_F=20\text{mA}$ | 519 | 527 | 536 | |
| | Blue | | $I_F=20\text{mA}$ | 464 | 470 | 476 | |
| Spectral Bandwidth | Red | $\Delta\lambda$ | $I_F=12\text{mA}$ | - | 20 | - | nm |
| | Green | | $I_F=20\text{mA}$ | - | 35 | - | |
| | Blue | | $I_F=20\text{mA}$ | - | 26 | - | |
| Viewing Angle *2 | R, G, B | $2\theta_{1/2}$ | $I_F=52\text{mA}$ Total | - | 120 | - | deg. |

*1 The luminous intensity I_V was measured at the peak of the spatial pattern which may not be aligned with the mechanical axis of the LED package. Luminous Intensity Measurement allowance is $\pm 10\%$.

*2 $2\theta_{1/2}$ is the off-axis where the luminous intensity is 1/2 of the peak intensity.

[Note] All measurements were made under the standardized environment of SSC.

5. Ranks of UBMGFRT722

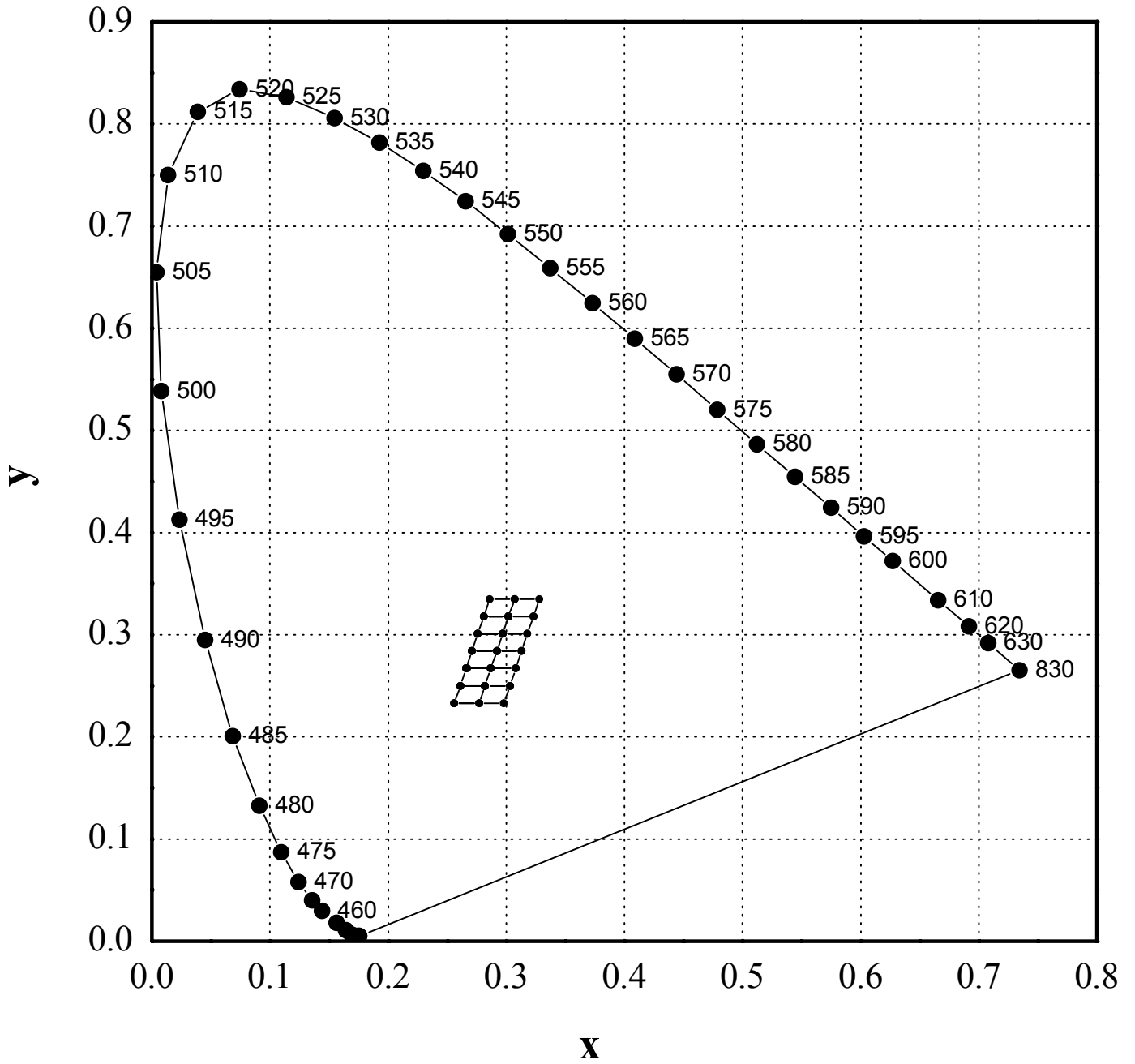
▣ General binning

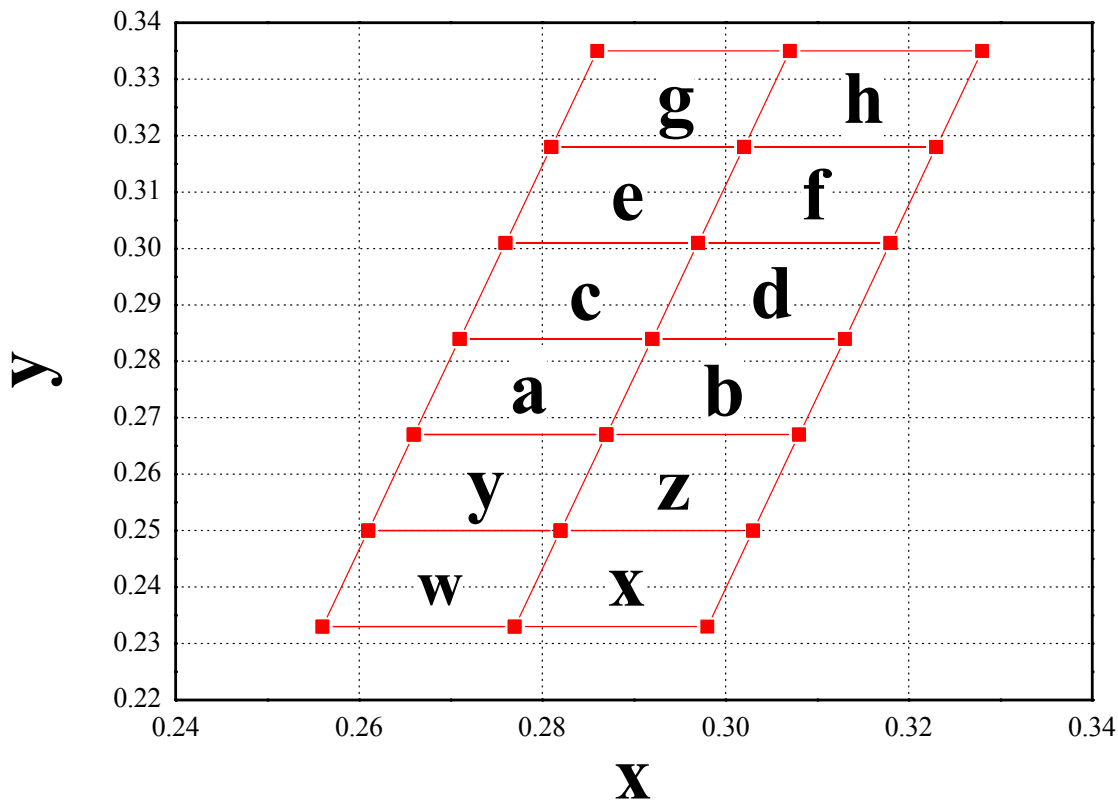
| Color | RED | GREEN | BLUE | WHITE (TOTAL) |
|-----------|----------|----------|----------|---------------|
| Condition | 12mA | 20mA | 20mA | Total = 52mA |
| Rank Name | LMD (nm) | LMD (nm) | LMD (nm) | IV |
| A | 618~625 | 519~527 | 464~470 | 520 ~ 745 |
| B | 618~625 | 519~527 | 464~470 | 745 ~ 970 |
| C | 625~632 | 519~527 | 464~470 | 520 ~ 745 |
| D | 625~632 | 519~527 | 464~470 | 745 ~ 970 |
| E | 618~625 | 527~536 | 464~470 | 520 ~ 745 |
| F | 618~625 | 527~536 | 464~470 | 745 ~ 970 |
| G | 625~632 | 527~536 | 464~470 | 520 ~ 745 |
| H | 625~632 | 527~536 | 464~470 | 745 ~ 970 |
| I | 618~625 | 519~527 | 470~476 | 520 ~ 745 |
| J | 618~625 | 519~527 | 470~476 | 745 ~ 970 |
| K | 625~632 | 519~527 | 470~476 | 520 ~ 745 |
| L | 625~632 | 519~527 | 470~476 | 745 ~ 970 |
| M | 618~625 | 527~536 | 470~476 | 520 ~ 745 |
| N | 618~625 | 527~536 | 470~476 | 745 ~ 970 |
| O | 625~632 | 527~536 | 470~476 | 520 ~ 745 |
| P | 625~632 | 527~536 | 470~476 | 745 ~ 970 |
| Q | 618~625 | 519~527 | 464~470 | 970 ~ 1200 |
| R | 625~632 | 519~527 | 464~470 | 970 ~ 1200 |
| S | 618~625 | 527~536 | 464~470 | 970 ~ 1200 |
| T | 625~632 | 527~536 | 464~470 | 970 ~ 1200 |
| U | 618~625 | 519~527 | 470~476 | 970 ~ 1200 |
| V | 625~632 | 519~527 | 470~476 | 970 ~ 1200 |
| W | 618~625 | 527~536 | 470~476 | 970 ~ 1200 |
| X | 625~632 | 527~536 | 470~476 | 970 ~ 1200 |

▣ Special binning (white balance)

| Color | RED | GREEN | BLUE | WHITE (TOTAL) | | | | |
|-----------|----------|----------|----------|------------------|---------|---------|-----------------|---|
| Condition | 12mA | 20mA | 20mA | Total = 52mA | | | | |
| Rank Name | LMD (nm) | LMD (nm) | LMD (nm) | IV | | | | |
| A1 | 618~632 | 519~527 | 464~470 | 520 ~ 745 | a | | | |
| B1 | | | | | b | | | |
| C1 | | | | | c | | | |
| D1 | | | | | d | | | |
| E1 | | | | | e | | | |
| F1 | | | | | f | | | |
| G1 | | | | | g | | | |
| H1 | | | | | h | | | |
| W1 | | | | | w | | | |
| X1 | | | | | x | | | |
| Y1 | | | | y | | | | |
| Z1 | | | | z | | | | |
| A2 | | | | 618~632 | 519~527 | 464~470 | 745 ~ 970 | a |
| B2 | | | | | | | | b |
| C2 | | | | | | | | c |
| D2 | | | | | | | | d |
| E2 | | | | | | | | e |
| F2 | | | | | | | | f |
| G2 | | | | | | | | g |
| H2 | | | | | | | | h |
| W2 | | | | | | | | w |
| X2 | x | | | | | | | |
| Y2 | y | | | | | | | |
| Z2 | z | | | | | | | |
| A3 | 618~632 | 519~527 | 464~470 | 970 ~ 1200 | a | | | |
| B3 | | | | | b | | | |
| C3 | | | | | c | | | |
| D3 | | | | | d | | | |
| E3 | | | | | e | | | |
| F3 | | | | | f | | | |
| G3 | | | | | g | | | |
| H3 | | | | | h | | | |
| W3 | | | | | w | | | |
| X3 | | | | | x | | | |
| Y3 | y | | | | | | | |
| Z3 | z | | | | | | | |

6. Chromaticity Coordinate Diagram





White Color Rank

($T_a=25^{\circ}\text{C}$)

| a Rank | | b Rank | | c Rank | | d Rank | |
|--------|-------|--------|-------|--------|-------|--------|-------|
| x | y | x | y | x | y | x | y |
| 0.266 | 0.267 | 0.287 | 0.267 | 0.271 | 0.284 | 0.292 | 0.284 |
| 0.287 | 0.267 | 0.308 | 0.267 | 0.292 | 0.284 | 0.313 | 0.284 |
| 0.292 | 0.284 | 0.313 | 0.284 | 0.297 | 0.301 | 0.318 | 0.301 |
| 0.271 | 0.284 | 0.292 | 0.284 | 0.276 | 0.301 | 0.297 | 0.301 |
| e Rank | | f Rank | | g Rank | | h Rank | |
| x | y | x | y | x | y | x | y |
| 0.276 | 0.301 | 0.297 | 0.301 | 0.281 | 0.318 | 0.302 | 0.318 |
| 0.297 | 0.301 | 0.318 | 0.301 | 0.302 | 0.318 | 0.323 | 0.318 |
| 0.302 | 0.318 | 0.323 | 0.318 | 0.307 | 0.335 | 0.328 | 0.335 |
| 0.281 | 0.318 | 0.302 | 0.318 | 0.286 | 0.335 | 0.307 | 0.335 |
| w Rank | | x Rank | | y Rank | | z Rank | |
| x | y | x | y | x | y | x | y |
| 0.256 | 0.233 | 0.277 | 0.233 | 0.261 | 0.250 | 0.282 | 0.250 |
| 0.277 | 0.233 | 0.298 | 0.233 | 0.282 | 0.250 | 0.303 | 0.250 |
| 0.282 | 0.250 | 0.303 | 0.250 | 0.287 | 0.267 | 0.308 | 0.267 |
| 0.261 | 0.250 | 0.282 | 0.250 | 0.266 | 0.267 | 0.267 | 0.267 |

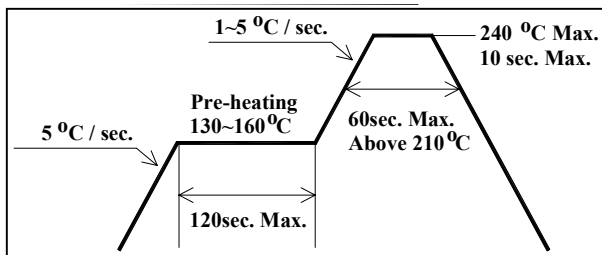
* Measurement Uncertainty of the Color Coordinates : ± 0.01

7. Soldering Profile

(1) Reflow Soldering Conditions / Profile

| Lead Solder | |
|--------------------------|---------------|
| Pre-heat | 130~160 °C |
| Pre-heat time | 120 sec. Max. |
| Peak-Temperature | 240 °C Max. |
| Soldering time Condition | 10 sec. Max. |

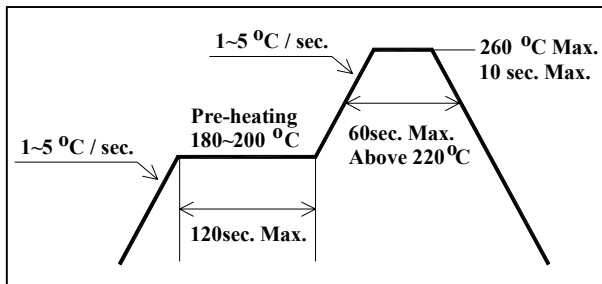
* Condition



(2) Lead-free solder

| Lead-free Solder | |
|--------------------------|---------------|
| Pre-heat | 180~200 °C |
| Pre-heat time | 120 sec. Max. |
| Peak-Temperature | 260 °C Max. |
| Soldering time Condition | 10 sec. Max. |

* Condition



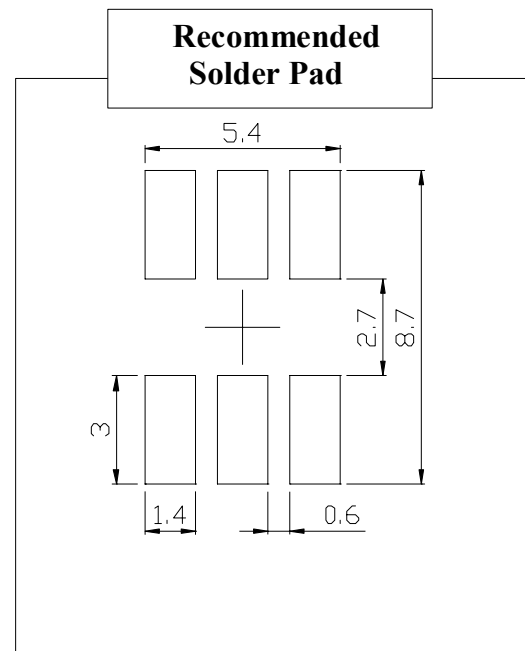
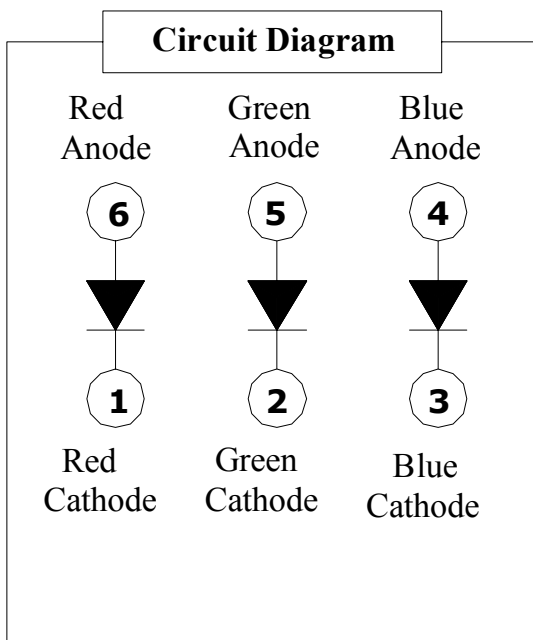
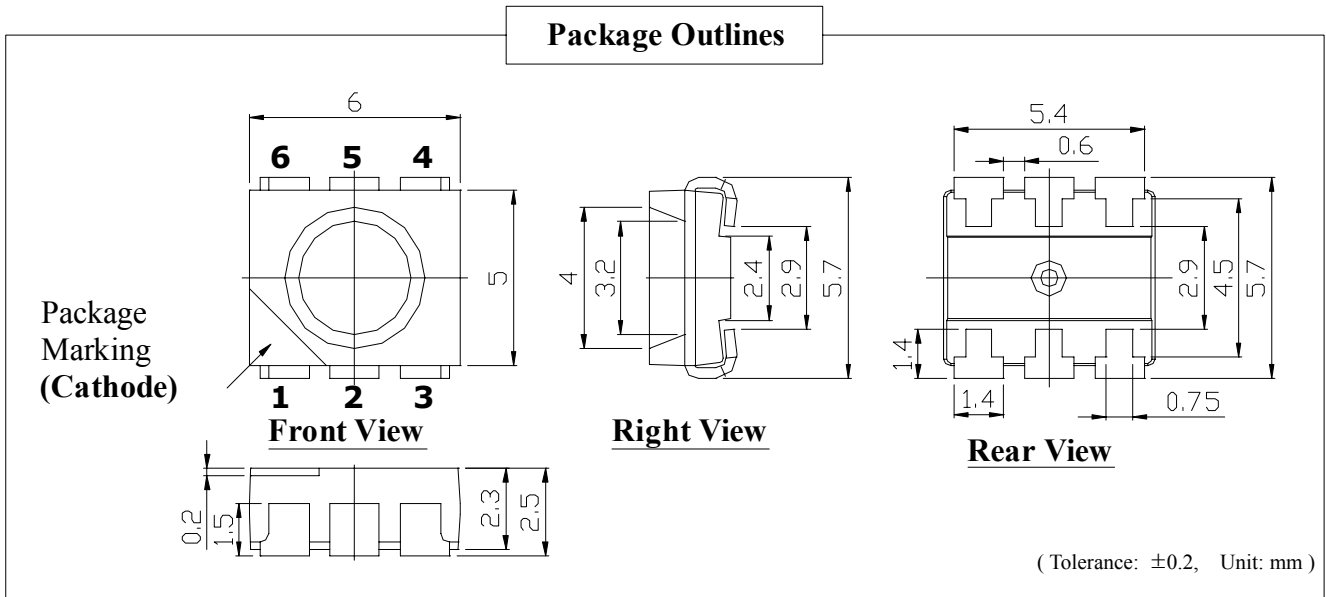
(3) Reflow soldering should not be done more than two times.

(4) Hand Soldering conditions

Do not exceed 3 seconds at maximum 300°C under soldering iron.

Note : In case that the soldered products are reused in soldering process, we don't guarantee the products.

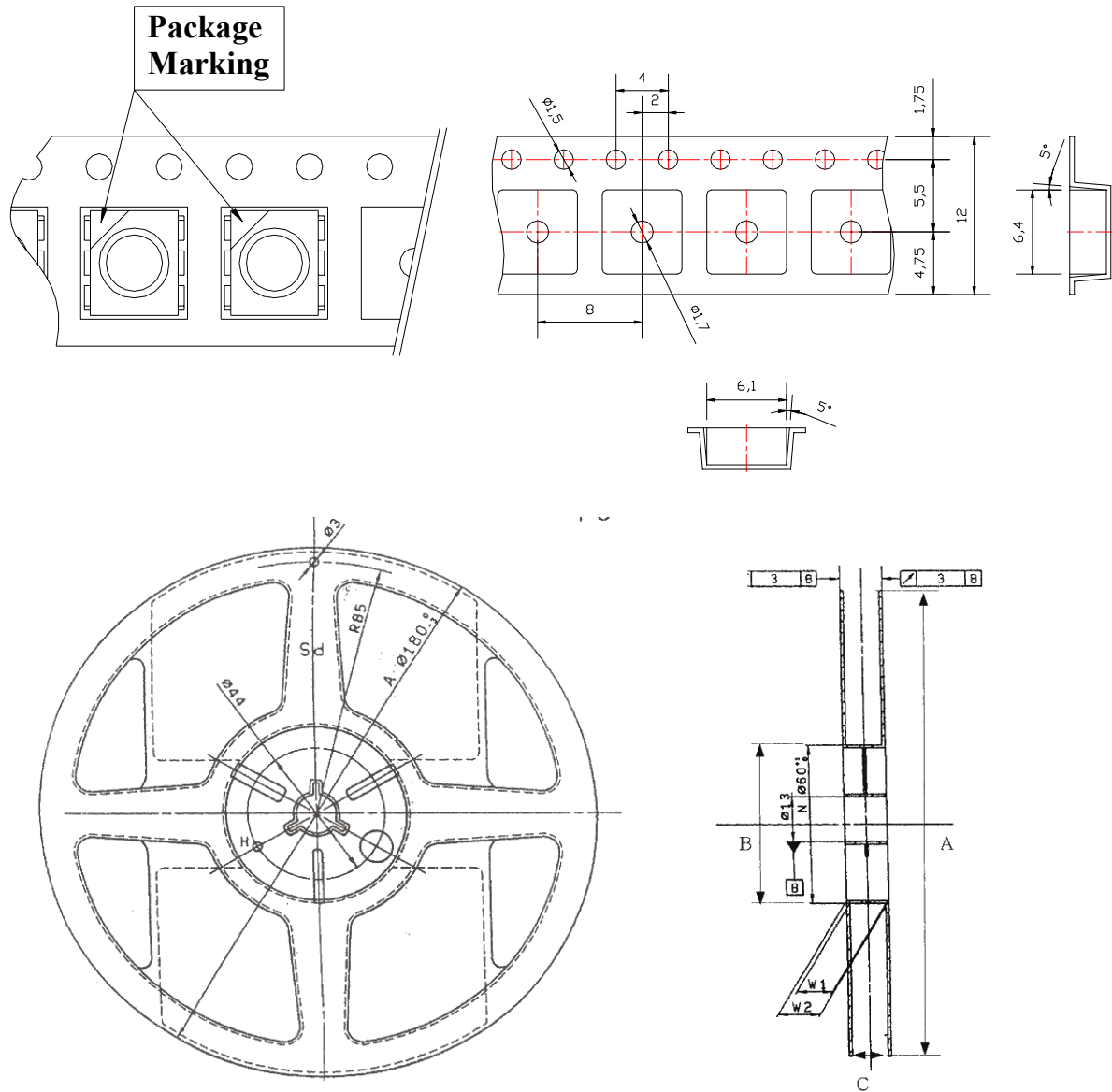
8. Outline Dimension



* MATERIALS

| PARTS | MATERIALS |
|---------------------|-------------------------|
| Package | Heat-Resistant Polymer |
| Encapsulating Resin | Epoxy Resin |
| Electrodes | Ag Plating Copper Alloy |

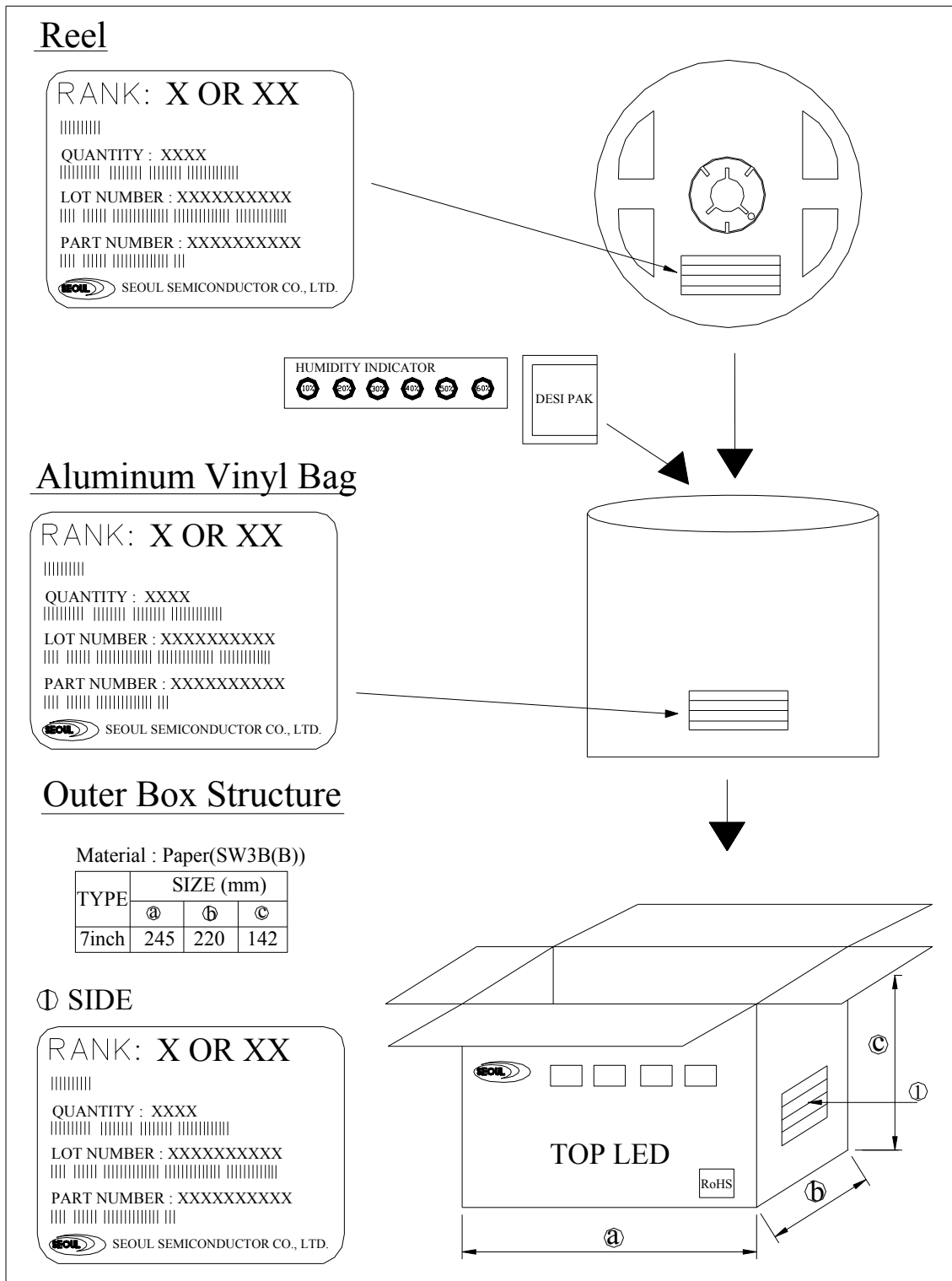
9. Packing



(Tolerance: ± 0.2 , Unit: mm)

- (1) Quantity : 700pcs/Reel
- (2) Cumulative Tolerance : Cumulative Tolerance/10 pitches to be ± 0.2 mm
- (3) Adhesion Strength of Cover Tape : Adhesion strength to be 0.1-0.7N when the cover tape is turned off from the carrier tape at the angle of 10° to the carrier tape
- (4) Package : P/N, Manufacturing data Code No. and quantity to be indicated on a damp proof Package

10. Reel Packing Structure



11. Precaution for use

(1) Storage

In order to avoid the absorption of moisture, it is recommended to store in a dry box (or a desiccator) with a desiccant. Otherwise, to store them in the following environment is recommended.

Temperature : 5°C ~30°C Humidity : maximum 65%RH

(2) Attention after open.

LED is correspond to SMD, when LED be soldered dip, interfacial separation may affect the light transmission efficiency, causing the light intensity to drop. Attention in followed;

- a. After opened and mounted the soldering shall be quickly.
- b. Keeping of a fraction

Temperature : 5 ~ 40°C Humidity : less than 30%

(3) In the case of more than 1 week passed after opening or change color of indicator on desiccant, components shall be dried 10-12hr. at 60±5°C.

(4) Any mechanical force or any excess vibration shall not be accepted to apply during cooling process to normal temperature after soldering.

(5) Quick cooling shall be avoided.

(6) Components shall not be mounted on warped direction of PCB.

(7) Anti radioactive ray design is not considered for the products.

(8) This device should not be used in any type of fluid such as water, oil, organic solvent etc. When washing is required, IPA should be used.

(9) When the LEDs are illuminating, operating current should be decided after considering the ambient maximum temperature.

(10) LEDs must be stored to maintain a clean atmosphere. If the LEDs are stored for 3 months or more after being shipped from SSC, a sealed container with a nitrogen atmosphere should be used for storage.

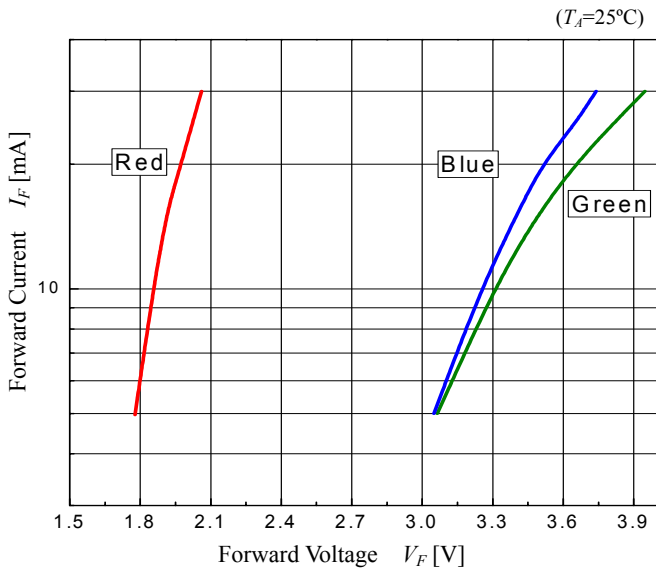
(11) The LEDs must be soldered within seven days after opening the moisture-proof packing.

(12) Repack unused products with anti-moisture packing, fold to close any opening and then store in a dry place.

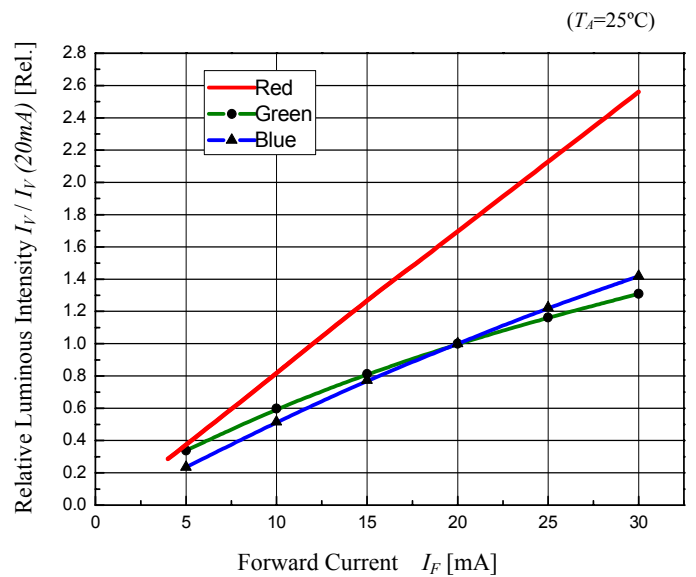
(13) The appearance and specifications of the product may be modified for improvement without notice.

12. Characteristic Diagram

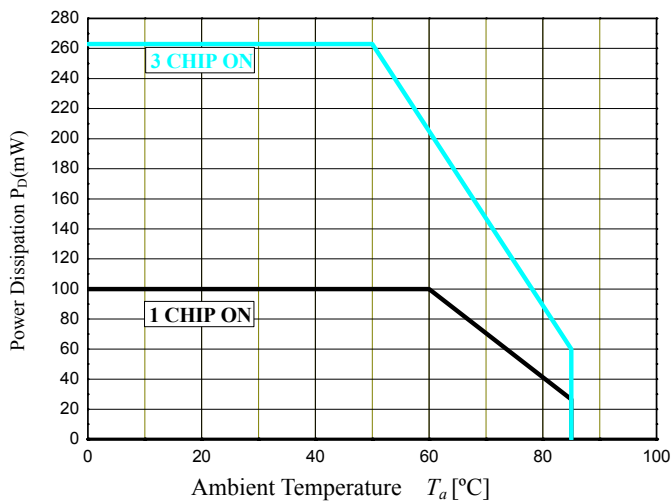
Forward Current vs. Forward Voltage



Relative Luminous Intensity vs. Forward Current



Ambient Temperature vs. Power Dissipation



Radiation Diagram

